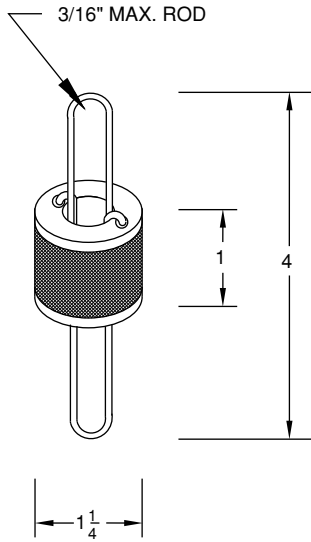
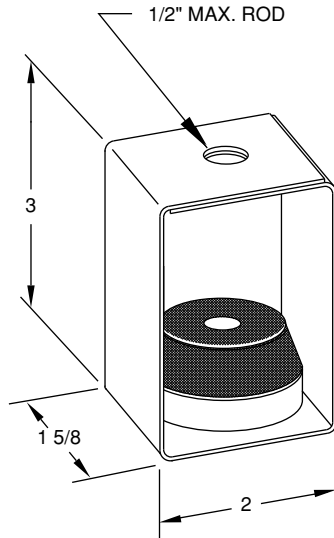


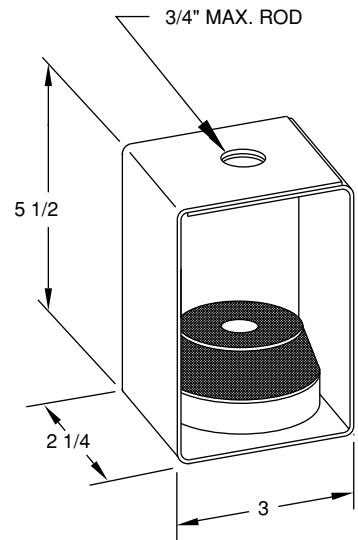
NEOPRENE HANGERS



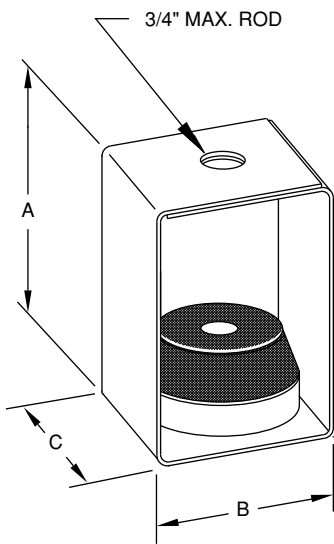
ACH-1 (Fig. 27)



1C, 1CD (Fig. 28)



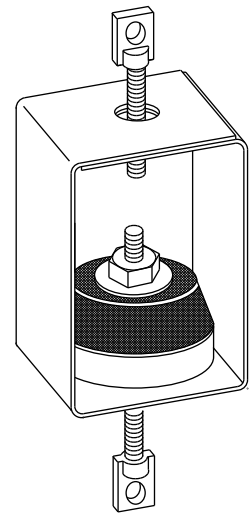
3C, 3CTD (Fig. 29)



5CTD (Fig. 30)

| MODEL NUMBER | "A" | "B" | "C" |
|--------------|-------|-------|-------|
| 5CTD-1, 2 | 6 1/4 | 3 1/2 | 2 1/2 |
| 5CTD-3, 4, 5 | 6 | 6 | 4 |

| Fig. No. | MODEL NUMBER | COLOR CODE | RATED LOAD | RATED DEFL. | SHIP. WGT. |
|----------|--------------|------------|------------|-------------|------------|
| 27 | ACH-1 { 20 | RED | 65 # | .20" | .15 # |
| | { 40 | BLACK | 120 # | | |
| | { 70 | BLUE | 200 # | | |
| 28 | 1C* | WHITE | 100 # | .25" | .40 # |
| | 1CD* | WHITE | 100 # | .38" | .50 # |
| 29 | 3C* { | 1 WHITE | 150 # | .25" | 1.7 # |
| | | 2 GREEN | 300 # | | |
| | | 3 BLUE | 460 # | | |
| | | 4 ORANGE | 700 # | | |
| | 3CTD* { | 1 WHITE | 150 # | .50" | 1.9 # |
| 2 GREEN | 300 # | | | | |
| 3 BLUE | 460 # | | | | |
| 4 ORANGE | 700 # | | | | |
| 30 | 5CTD { | 1 SILVER | 850 # | .38" | 2.3 # |
| | | 2 YELLOW | 1000 # | | |
| | | 3 RED | 1600 # | | 7.0 # |
| | | 4 WHITE | 1900 # | | |
| | | 5 GREEN | 2500 # | | |



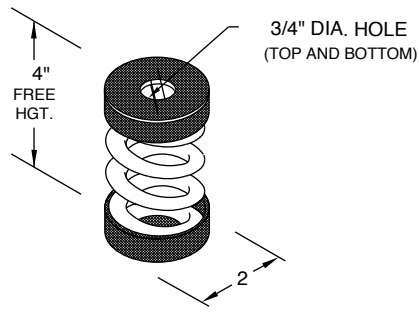
Eye sockets can be furnished both top and bottom for 1C, 1CD, 3C & 3CTD. When required, add the suffix "E" to model number.

* Metal hanger box zinc-electroplated.

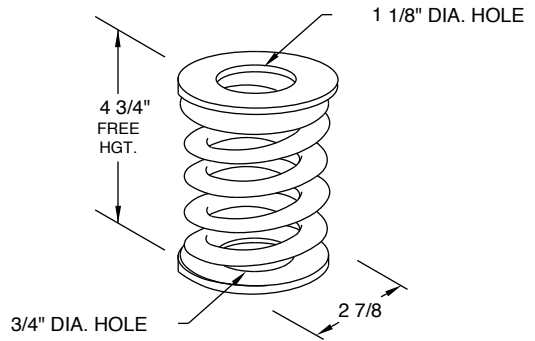
ACH-1 hangers: Color coding is identified by color of rubber.

All others: Color coding is identified by colored label.

TYPE "OSC" SPRING HANGER



OSC2 (Fig. 31)



OSC3 (Fig. 32)

F21 to F27 springs: Color coding is identified by color of spring.

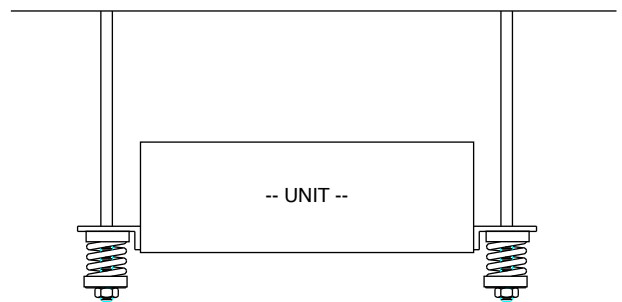
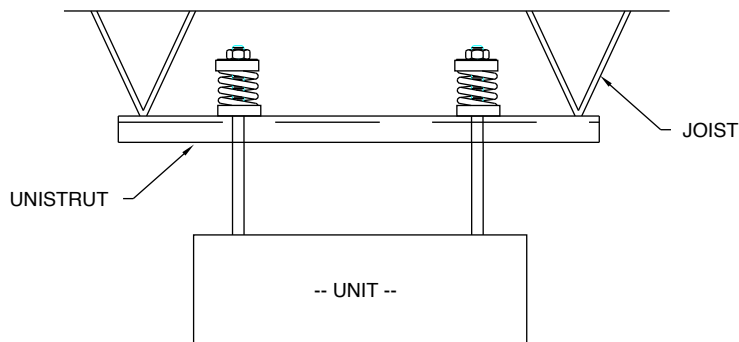
F30 to F41 springs: Color coding is identified by colored label.

| Fig. No. | MODEL NUMBER | COLOR CODE | RATED LOAD | RATED DEFL. | SHIP. WGT. | |
|----------|--------------|------------|------------|-------------|------------|-------|
| 31 | OSC2 | F21 | YELLOW | 40 # | 1.00" | .80 # |
| | | F22 | RED | 100 # | | |
| | | F23 | WHITE | 150 # | | |
| | | F24 | GREEN | 210 # | | |
| | | F25 | BLUE | 300 # | | |
| | | F26 | ORANGE | 400 # | | |
| | | F27 | BROWN | 500 # | | |
| 32 | OSC3 | F30 | SILVER | 155 # | 1.85" | 3.2 # |
| | | F31 | YELLOW | 220 # | 1.70" | |
| | | F32 | RED | 310 # | 1.55" | |
| | | F33 | WHITE | 420 # | 1.40" | |
| | | F34 | GREEN | 540 # | 1.25" | |
| | | F35 | BLUE | 710 # | 1.15" | |
| | | F36 | ORANGE | 900 # | 1.05" | |
| | | F37 | GOLD | 1030 # | 1.00" | |
| | | F38 | RED/SILVER | 1275 # | 1.00" | |
| | | F39 | RED/YELLOW | 1630 # | 1.00" | |
| | | F40 | RED/WHITE | 2100 # | 1.00" | |
| | | F41 | RED/GREEN | 3000 # | 1.00" | |

All springs are free standing and laterally stable. (Meeting a minimum of 0.8 ratio of spring diameter to compressed height.)

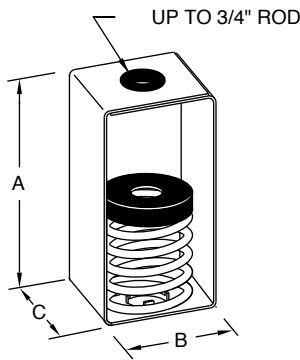
All springs are designed to provide additional travel of 50% of rated load.

For greater deflections and/or loads refer to factory.

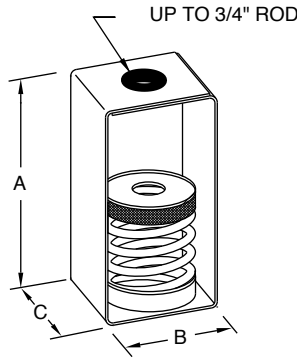


TYPICAL INSTALLATIONS

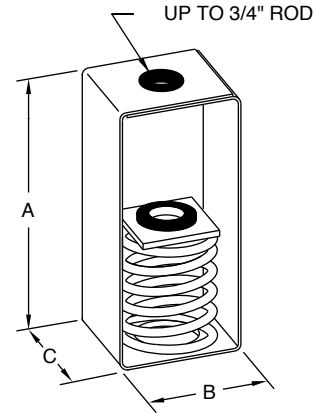
SPRING HANGERS



SNC1 (Fig. 33)



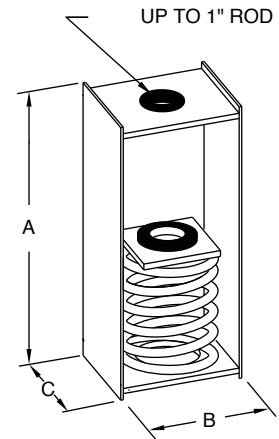
SNC2 (Fig. 34)



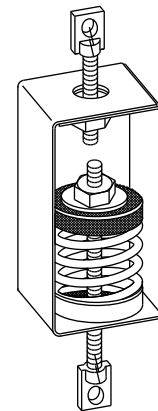
SNC2, SNC4,
SNC6, SNC10
(Fig. 35)

C20 to C22, F21 to F27 springs: Color coding is identified by color of spring.
All others: Color coding is identified by colored label.

| Fig. No. | MODEL NUMBER | COLOR CODE | RATED LOAD | RATED DEFL. | "A" | "B" | "C" | SHIP. WGT. | |
|----------|--------------|------------|------------|-------------|-------|--------|-------|------------|--------|
| 33 | SNC1* | C20 | RED | 30 # | 1.00" | 4 1/2 | 2 3/4 | 2 1/4 | 1.0 # |
| | | C21 | GREEN | 60 # | | | | | |
| | | C22 | BLUE | 100 # | | | | | |
| 34 | SNC2* | F21 | YELLOW | 40 # | 1.00" | 5 1/2 | 3 | 2 1/4 | 2.0 # |
| | | F22 | RED | 100 # | | | | | |
| | | F23 | WHITE | 150 # | | | | | |
| | | F24 | GREEN | 210 # | | | | | |
| | | F25 | BLUE | 300 # | | | | | |
| | | F26 | ORANGE | 400 # | | | | | |
| | | F27 | BROWN | 500 # | | | | | |
| 35 | SNC2* | 5 | GREEN | 530 # | .80" | 6 1/4 | 3 1/2 | 2 1/2 | 4.1 # |
| | | 6 | BLUE | 750 # | | | | | |
| | | 7 | ORANGE | 1125 # | | | | | |
| | | 8 | GOLD | 1500 # | | | | | |
| 35 | SNC4* | F30 | SILVER | 155 # | 1.85" | 8 1/4 | 3 1/2 | 2 1/2 | 5.6 # |
| | | F31 | YELLOW | 220 # | | | | | |
| | | F32 | RED | 310 # | | | | | |
| | | F33 | WHITE | 420 # | | | | | |
| | | F34 | GREEN | 540 # | | | | | |
| | | F35 | BLUE | 710 # | | | | | |
| | | F36 | ORANGE | 900 # | | | | | |
| | | F37 | GOLD | 1030 # | | | | | |
| | | F38 | RED/SILVER | 1275 # | | | | | |
| | | F39 | RED/YELLOW | 1630 # | | | | | |
| 36 | SNC4 | F40 | RED/WHITE | 2100 # | 1.00" | 9 | 4 | 3 | 10.7 # |
| | | F41 | RED/GREEN | 3000 # | | | | | |
| 35 | SNC6* | F60 | SILVER | 60 # | 3.00" | 10 1/4 | 4 | 3 | 5.7 # |
| | | F61 | YELLOW | 109 # | | | | | |
| | | F62 | RED | 155 # | | | | | |
| | | F63 | GREEN | 210 # | | | | | |
| | | F64 | BLUE | 275 # | | | | | |
| | | F65 | ORANGE | 365 # | | | | | |
| | | F66 | GOLD | 500 # | | | | | |
| | | F67 | WHITE | 715 # | | | | | |
| | | F68 | RED/SILVER | 945 # | | | | | |
| | | F69 | RED/YELLOW | 1190 # | | | | | |
| 35 | SNC10* | V40 | SILVER | 40 # | 2.00" | 8 1/4 | 3 1/2 | 2 1/2 | 3.5 # |
| | | V41 | YELLOW | 80 # | | | | | |
| | | V42 | RED | 120 # | | | | | |
| | | V43 | GREEN | 180 # | | | | | |
| | | V44 | BLUE | 250 # | | | | | |
| V45 | ORANGE | 350 # | | | | | | | |



SNC4 [F40, F41]
(Fig. 36)



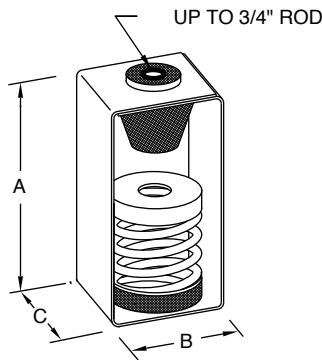
Eye sockets can be furnished both top and bottom for SNC2. When required, add the suffix "E" to model number.

* Metal hanger box zinc-electroplated.

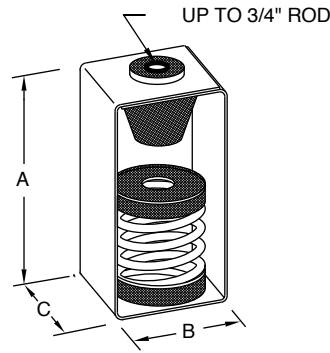
All hangers are designed to allow as much as 30 angular rod misalignment.

All springs are designed to provide additional travel to solid of 50% of rated load.

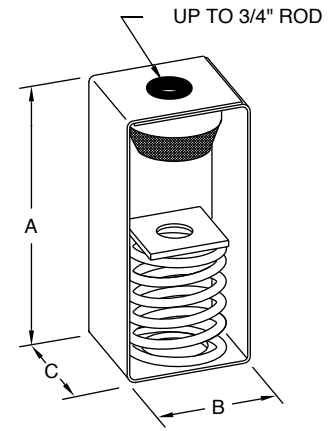
COMBINATION SPRING & NEOPRENE HANGERS



SNRC1 (Fig. 37)



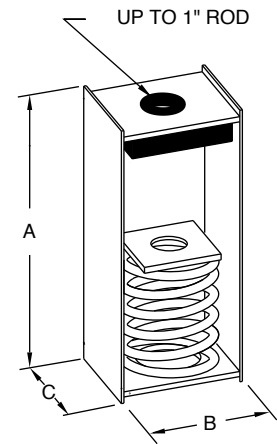
SNRC2 (Fig. 38)



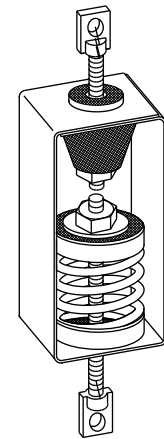
SNRC2, SNRC4,
SNRC6, SNRC10
(Fig. 39)

C20 to C22, F21 to F27 springs: Color coding is identified by color of spring.
All others: Color coding is identified by colored label.

| Fig. No. | MODEL NUMBER | COLOR CODE | RATED LOAD | RATED DEFL. | "A" | "B" | "C" | SHIP. WGT. | |
|----------|--------------|------------|------------|-------------|--------|-------|-------|------------|-------|
| 37 | SNRC1* { | C20 | RED | 30 # | 5 1/2 | 3 | 2 1/4 | 1.8 # | |
| | | C21 | GREEN | 60 # | | | | | 1.25" |
| | | C22 | BLUE | 100 # | | | | | |
| 38 | SNRC2* { | F21 | YELLOW | 40 # | 6 1/4 | 3 1/2 | 2 1/2 | 2.6 # | |
| | | F22 | RED | 100 # | | | | | 1.25" |
| | | F23 | WHITE | 150 # | | | | | |
| | | F24 | GREEN | 210 # | | | | | |
| | | F25 | BLUE | 300 # | | | | | |
| | | F26 | ORANGE | 400 # | | | | | |
| | | F27 | BROWN | 500 # | | | | | |
| 39 | SNRC2* { | 5 | GREEN | 530 # | 8 1/4 | 3 1/2 | 2 1/2 | 4.3 # | |
| | | 6 | BLUE | 750 # | | | | | 1.05" |
| | | 7 | ORANGE | 1125 # | | | | | 1.00" |
| | | 8 | GOLD | 1500 # | | | | | 1.00" |
| 39 | SNRC4* { | F30 | SILVER | 155 # | 8 1/4 | 3 1/2 | 2 1/2 | 5.9 # | |
| | | F31 | YELLOW | 220 # | | | | | 2.10" |
| | | F32 | RED | 310 # | | | | | 1.95" |
| | | F33 | WHITE | 420 # | | | | | 1.80" |
| | | F34 | GREEN | 540 # | | | | | 1.65" |
| | | F35 | BLUE | 710 # | | | | | 1.50" |
| | | F36 | ORANGE | 900 # | | | | | 1.40" |
| | | F37 | GOLD | 1030 # | | | | | 1.30" |
| | | F38 | RED/SILVER | 1275 # | | | | | 1.25" |
| | | F39 | RED/YELLOW | 1630 # | | | | | 1.25" |
| 40 | SNRC4 { | F40 | RED/WHITE | 2100 # | 10 | 4 | 3 | 12.5 # | |
| | | F41 | RED/GREEN | 3000 # | | | | | 1.25" |
| 39 | SNRC6* { | F60 | SILVER | 60 # | 10 1/4 | 4 | 3 | 6.2 # | |
| | | F61 | YELLOW | 109 # | | | | | 3.25" |
| | | F62 | RED | 155 # | | | | | 2.97" |
| | | F63 | GREEN | 210 # | | | | | 2.83" |
| | | F64 | BLUE | 275 # | | | | | 2.57" |
| | | F65 | ORANGE | 365 # | | | | | 2.45" |
| | | F66 | GOLD | 500 # | | | | | 2.33" |
| | | F67 | WHITE | 715 # | | | | | 2.25" |
| | | F68 | RED/SILVER | 945 # | | | | | 2.25" |
| | | F69 | RED/YELLOW | 1190 # | | | | | 2.25" |
| 39 | SNRC10* { | V40 | SILVER | 40 # | 8 1/4 | 3 1/2 | 2 1/2 | 3.8 # | |
| | | V41 | YELLOW | 80 # | | | | | 2.25" |
| | | V42 | RED | 120 # | | | | | |
| | | V43 | GREEN | 180 # | | | | | |
| | | V44 | BLUE | 250 # | | | | | |
| | | V45 | ORANGE | 350 # | | | | | |



SNRC4 [F40, F41]
(Fig. 40)



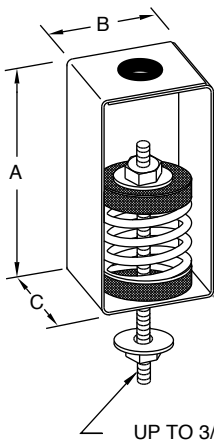
Eye sockets can be furnished both top and bottom for SNRC2. When required, add the suffix "E" to model number.

* Metal hanger box zinc-electroplated.

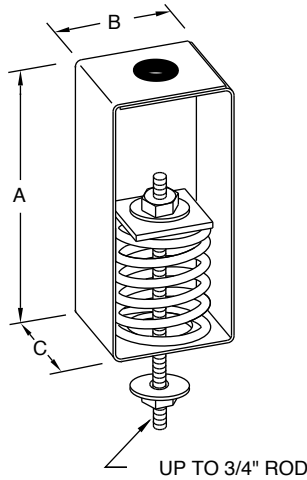
All hangers are designed to allow as much as 30 angular rod misalignment.

All springs are designed to provide additional travel to solid of 50% of rated load.

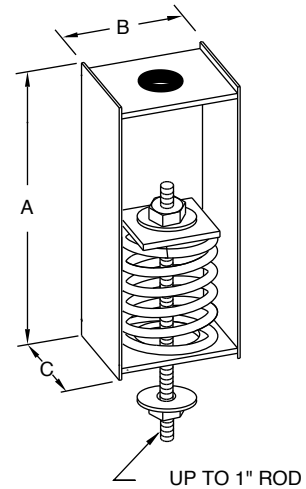
PRECOMPRESSED SPRING HANGERS



PCS2 (Fig. 41)



PCS2, PSC4, PCS6 (Fig. 42)



PCS4 [F40, F41] (Fig. 43)

F21 to F27 springs: Color coding is identified by color of spring.
 All others: Color coding is identified by colored label.

| Fig. No. | MODEL NUMBER | COLOR CODE | RATED LOAD | RATED DEFL. | "A" | "B" | "C" | SHIP. WGT. | |
|----------|--------------|------------|------------|-------------|-------|--------|-------|------------|--------|
| 41 | PCS2* | F21 | YELLOW | 40 # | 1.00" | 5 1/2 | 3 | 2 1/4 | 3.0 # |
| | | F22 | RED | 100 # | | | | | |
| | | F23 | WHITE | 150 # | | | | | |
| | | F24 | GREEN | 210 # | | | | | |
| | | F25 | BLUE | 300 # | | | | | |
| | | F26 | ORANGE | 400 # | | | | | |
| | | F27 | BROWN | 500 # | | | | | |
| 42 | PCS2* | 5 | GREEN | 530 # | .80" | 6 1/4 | 3 1/2 | 2 1/2 | 5.0 # |
| | | 6 | BLUE | 750 # | .75" | | | | |
| | | 7 | ORANGE | 1125 # | .75" | | | | |
| | | 8 | GOLD | 1500 # | .75" | | | | |
| 42 | PCS4* | F30 | SILVER | 155 # | 1.85" | 8 1/4 | 3 1/2 | 2 1/2 | 7.0 # |
| | | F31 | YELLOW | 220 # | 1.70" | | | | |
| | | F32 | RED | 310 # | 1.55" | | | | |
| | | F33 | WHITE | 420 # | 1.40" | | | | |
| | | F34 | GREEN | 540 # | 1.25" | | | | |
| | | F35 | BLUE | 710 # | 1.15" | | | | |
| | | F36 | ORANGE | 900 # | 1.05" | | | | |
| | | F37 | GOLD | 1030 # | 1.00" | | | | |
| | | F38 | RED/SILVER | 1275 # | 1.00" | | | | |
| | | F39 | RED/YELLOW | 1630 # | 1.00" | | | | |
| 43 | PCS4 | F40 | RED/WHITE | 2100 # | 1.00" | 9 | 4 | 3 | 12.0 # |
| | | F41 | RED/GREEN | 3000 # | 1.00" | | | | |
| 42 | PCS6* | F60 | SILVER | 60 # | 3.00" | 10 1/4 | 4 | 3 | 6.0 # |
| | | F61 | YELLOW | 109 # | 2.72" | | | | |
| | | F62 | RED | 155 # | 2.58" | | | | |
| | | F63 | GREEN | 210 # | 2.32" | | | | |
| | | F64 | BLUE | 275 # | 2.20" | | | | |
| | | F65 | ORANGE | 365 # | 2.08" | | | | |
| | | F66 | GOLD | 500 # | 2.00" | | | | |
| | | F67 | WHITE | 715 # | 2.00" | | | | |
| | | F68 | RED/SILVER | 945 # | 2.00" | | | | |
| | | F69 | RED/YELLOW | 1190 # | 2.00" | | | | |

* Metal hanger box zinc-electroplated.

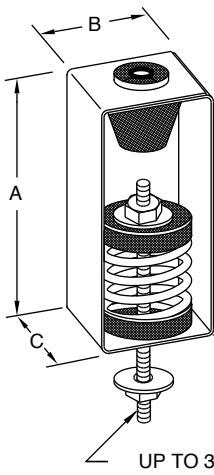
All rods supplied by Vibration Eliminator Co., Inc. are zinc-electroplated.

All hangers are designed to allow as much as 30fl angular rod misalignment.

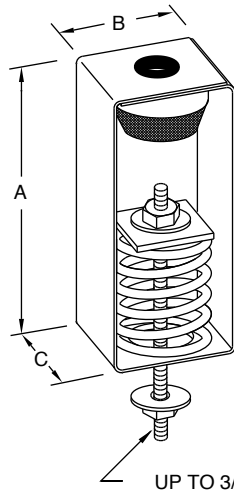
All springs are designed to provide additional travel to solid of 50% of rated load.

Type "PCS" hangers are furnished with deflection scale and precompressed to hold equipment or pipe at a fixed elevation.

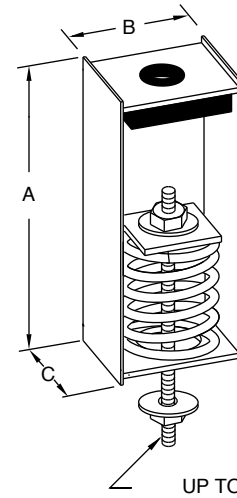
PRECOMPRESSED COMBINATION SPRING & NEOPRENE HANGERS



PCSR2 (Fig. 44)



PCSR2, PCSR4, PCSR6 (Fig. 45)



PCSR4 [F40, F41] (Fig. 46)

F21 to F27 springs: Color coding is identified by color of spring.
 All others: Color coding is identified by colored label.

| Fig. No. | MODEL NUMBER | COLOR CODE | RATED LOAD | RATED DEFL. | "A" | "B" | "C" | SHIP. WGT. | |
|----------|--------------|------------|------------|-------------|-------|--------|-------|------------|--------|
| 44 | PCSR2* | F21 | YELLOW | 40 # | 1.25" | 6 1/4 | 3 1/2 | 2 1/2 | 3.5 # |
| | | F22 | RED | 100 # | | | | | |
| | | F23 | WHITE | 150 # | | | | | |
| | | F24 | GREEN | 210 # | | | | | |
| | | F25 | BLUE | 300 # | | | | | |
| | | F26 | ORANGE | 400 # | | | | | |
| | | F27 | BROWN | 500 # | | | | | |
| 45 | PCSR2* | 5 | GREEN | 530 # | 1.05" | 8 1/4 | 3 1/2 | 2 1/2 | 5.3 # |
| | | 6 | BLUE | 750 # | 1.00" | | | | |
| | | 7 | ORANGE | 1125 # | 1.00" | | | | |
| | | 8 | GOLD | 1500 # | 1.00" | | | | |
| 45 | PCSR4* | F30 | SILVER | 155 # | 2.10" | 8 1/4 | 3 1/2 | 2 1/2 | 7.8 # |
| | | F31 | YELLOW | 220 # | 1.95" | | | | |
| | | F32 | RED | 310 # | 1.80" | | | | |
| | | F33 | WHITE | 420 # | 1.65" | | | | |
| | | F34 | GREEN | 540 # | 1.50" | | | | |
| | | F35 | BLUE | 710 # | 1.40" | | | | |
| | | F36 | ORANGE | 900 # | 1.30" | | | | |
| | | F37 | GOLD | 1030 # | 1.25" | | | | |
| | | F38 | RED/SILVER | 1275 # | 1.25" | | | | |
| | | F39 | RED/YELLOW | 1630 # | 1.25" | | | | |
| 46 | PCSR4 | F40 | RED/WHITE | 2100 # | 1.25" | 10 | 4 | 3 | 13.8 # |
| | | F41 | RED/GREEN | 3000 # | 1.25" | | | | |
| 45 | PCSR6* | F60 | SILVER | 60 # | 3.25" | 10 1/4 | 4 | 3 | 6.5 # |
| | | F61 | YELLOW | 109 # | 2.97" | | | | |
| | | F62 | RED | 155 # | 2.83" | | | | |
| | | F63 | GREEN | 210 # | 2.57" | | | | |
| | | F64 | BLUE | 275 # | 2.45" | | | | |
| | | F65 | ORANGE | 365 # | 2.33" | | | | |
| | | F66 | GOLD | 500 # | 2.25" | | | | |
| | | F67 | WHITE | 715 # | 2.25" | | | | |
| | | F68 | RED/SILVER | 945 # | 2.25" | | | | |
| | | F69 | RED/YELLOW | 1190 # | 2.25" | | | | |

* Metal hanger box zinc-electroplated.

All rods supplied by Vibration Eliminator Co., Inc. are zinc-electroplated.

All hangers are designed to allow as much as 30fl angular rod misalignment.

All springs are designed to provide additional travel to solid of 50% of rated load.

Type "PCSR" hangers are furnished with deflection scale and precompressed to hold equipment or pipe at a fixed elevation.