



"The ART of Noise Control"

For your local ArtUSA Representative

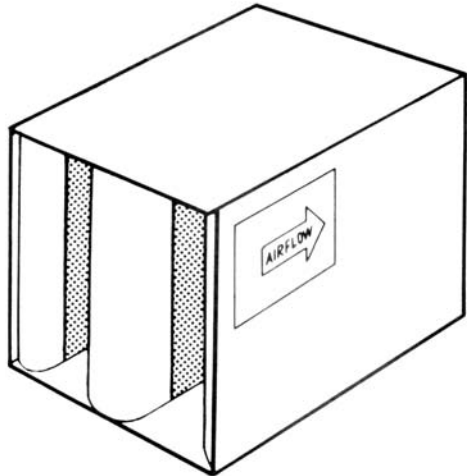
Call: 1-888-454-6973

Internet: www.artusaindustries.us

Sound Attenuator

NO. 783-97

ENGINEERING DATA SHEET



MODEL CBA

RECTANGULAR

NOMENCLATURE EXAMPLE:

WIDTH	HEIGHT	LENGTH	MODEL
24	24	3	CBA

ArtUSA Acoustics Model "CBA" style sound attenuators are designed and engineered to eliminate acoustical fill entrainment by the airstream and reduce to a minimum the absorption of gases and particles by the acoustical fill. Reliability and performance are guaranteed since the basic configuration and materials are utilized. This non-erosive, non-pregnant silencer is excellent for hospital and clean room systems. Standard construction is galvanized steel. Mylar sheeting, acoustical fill and special dampening layer. Also available in stainless steel.

MODEL NO.	OCTAVE BANDS	(1)	(2)	(3)	(4)	(5)	(6)	(7)	(8)
	CENTER FREQUENCY (Hz)	63	125	250	500	1000	2000	4000	8000
	FACE VELOCITY FPM	DYNAMIC INSERTION LOSS IN DECIBELS							
3CBA	-1500	1	5	15	24	35	32	20	11
	-1000	1	5	14	23	34	32	19	10
	0	1	5	13	23	33	34	20	13
	+1000	1	4	12	21	32	34	20	14
	+1500	0	4	12	21	31	34	20	14
5CBA	-1500	3	12	28	39	42	36	27	19
	-1000	2	11	26	37	45	40	35	18
	0	3	10	24	36	54	60	38	21
	+1000	1	8	21	34	52	59	40	23
	+1500	1	8	20	33	51	58	40	24
7CBA	-1500	2	16	33	43	42	36	32	20
	-1000	2	15	33	43	44	40	35	20
	0	5	12	29	43	56	54	36	24
	+1000	4	11	26	41	56	54	37	27
	+1500	3	10	25	41	56	53	36	27
10CBA	-1500	7	25	39	44	44	37	29	23
	-1000	7	23	38	44	46	41	41	25
	0	8	19	39	45	59	63	45	34
	+1000	6	16	36	45	68	62	45	34
	+1500	6	15	33	45	56	58	44	35

THIS TABLE CONTAINS BOTH FORWARD (+) AND BACKWARD (-) FLOW ACOUSTIC AND AERODYNAMIC RATINGS BASED ON TEST RESULTS MEASURED IN ACCORDANCE WITH ASTM E477. COPIES OF THESE TEST REPORTS CAN BE FURNISHED UPON REQUEST.



"The ART of Noise Control"

For your local ArtUSA Representative

Call: 1-888-454-6973

Internet: www.artusaindustries.us

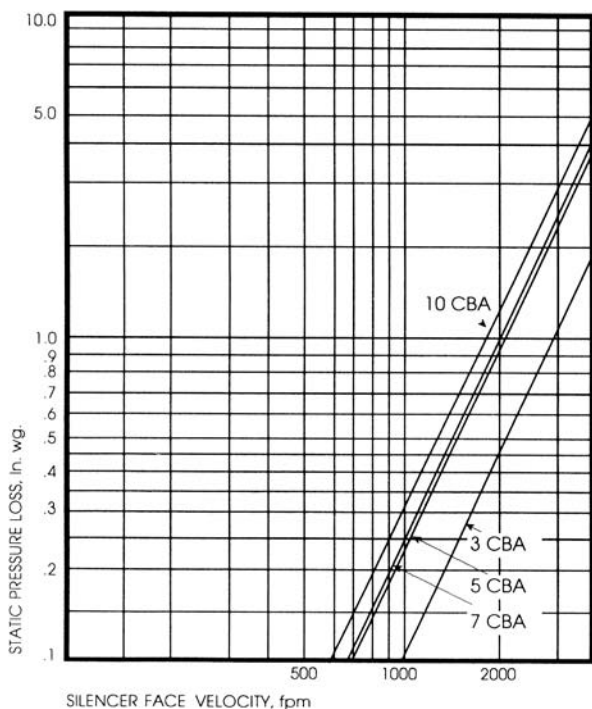
Sound Attenuator

RECTANGULAR
MODEL CBA

ENGINEERING DATA SHEET

AIR FLOW RATING FOR THE 12 X 12 SIZE, SHADED, REPRESENTS BOTH CFM AND FACE VELOCITY IN FPM.
USE THIS TO GET THE RATING FOR MULTIPLE MODULE SILENCERS.

MODEL	3 CBA	0.02	0.04	0.06	0.07	0.09	0.10	0.12	0.15	0.18	0.25	0.33	0.42
	5 CBA	0.04	0.07	0.10	0.14	0.16	0.18	0.21	0.27	0.33	0.47	0.62	0.78
	7 CBA	0.05	0.08	0.11	0.15	0.18	0.20	0.23	0.30	0.37	0.50	0.67	0.83
	10 CBA	0.06	0.11	0.15	0.19	0.23	0.26	0.30	0.39	0.48	0.66	0.88	1.09
SIZE W x H	FACE AREA	AIR FLOW IN CFM											
6 x 12	0.50	227	297	354	402	438	465	500	569	630	743	858	959
6 x 24	1.00	454	594	707	804	875	930	1000	1138	1260	1485	1715	1917
6 x 36	1.50	681	891	1061	1206	1313	1395	1500	1707	1890	2228	2573	2876
12 x 12	1.00	454	594	707	804	875	930	1000	1138	1260	1485	1715	1917
12 x 24	2.00	908	1188	1414	1608	1750	1860	2000	2276	2520	2970	3430	3834
12 x 36	3.00	1362	1782	2121	2412	2625	2790	3000	3414	3780	4455	5145	5751
18 x 12	1.50	681	891	1061	1206	1313	1395	1500	1707	1890	2228	2573	2876
18 x 18	2.25	1022	1337	1591	1809	1969	2093	2250	2561	2835	3341	3859	4313
18 x 30	3.75	1703	2228	2651	3015	3281	3488	3750	4268	4725	5569	6431	7189
18 x 36	4.50	2043	2673	3182	3618	3938	4185	4500	5121	5670	6683	7718	8627
18 x 48	6.00	2724	3564	4242	4824	5250	5580	6000	6828	7560	8910	10290	11502
24 x 24	4.00	1816	2376	2828	3216	3500	3720	4000	4552	5040	5940	6860	7668
24 x 36	6.00	2724	3564	4242	4824	5250	5580	6000	6828	7560	8910	10290	11502
24 x 48	8.00	3632	4752	5656	6432	7000	7440	8000	9104	10080	11880	13720	15336
30 x 24	5.00	2270	2970	3535	4020	4375	4650	5000	5690	6300	7425	8575	9585
30 x 36	7.50	3405	4455	5303	6030	6563	6975	7500	8535	9450	11138	12863	14378
30 x 48	10.00	4540	5940	7070	8040	8750	9300	10000	11380	12600	14850	17150	19170
36 x 36	9.00	4086	5346	6363	7236	7875	8370	9000	10242	11340	13365	15435	17253
36 x 42	10.50	4767	6237	7424	8442	9188	9765	10500	11949	13230	15593	18008	20129
36 x 48	12.00	5448	7128	8484	9648	10500	11160	12000	13656	15120	17820	20580	23004



Air flow ratings shown include static regain. Therefore if silencers are installed immediately before or after elbows, transitions, at the intake or discharge of the system, or without duct, allowance to compensate for such conditions must be included when calculating the operating pressure loss thru the silencer. Failure to make allowance for these conditions can add several velocity heads to the pressure loss of the system. All acoustic and aerodynamic performance obtained on 24" x 24" cross section production units.

SELF-GENERATED SOUND POWER RATINGS (PWL) dB re 10⁻¹² WATTS

OCTAVE BAND		1	2	3	4	5	6	7	8
HZ		63	125	250	500	1000	2000	4000	8000
MODEL	FACE VELOCITY								
3CBA	+1500	73	59	49	43	45	48	48	45
5CBA	+1000	70	49	38	34	37	35	32	31
7CBA	-1000	72	55	50	51	56	59	55	46
10CBA	-1500	74	58	55	55	58	64	67	58

SELF-GENERATED SOUND RATINGS/FACE AREA ADJUSTMENT FACTORS

FACE AREA	.50	1	2	4	8	10	32	64	128
PWL ADJUSTMENT FACTOR, dB	-9	-6	-3	0	+3	+6	+9	+12	+15