



"The Name to Know in Noise Control"

**For your local ArtUSA Representative
Call: 1-888-454-6975**

Internet: www.noisecontrolproducts.com

Tongue and Groove Acoustical Panel Enclosures



OPTIONS:

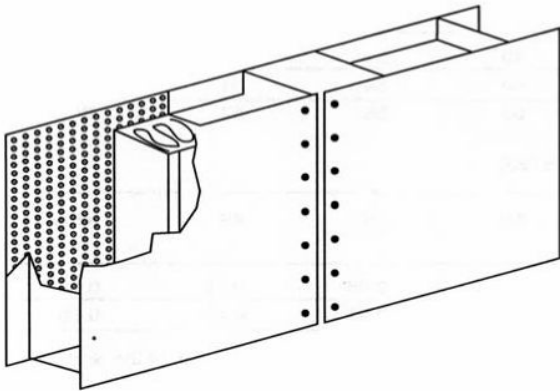
- ★ STC Rated Panels up to 55 dBA
- ★ Mylar, Polyethylene, or Fiberglass Cloth Lining
- ★ Framed Cutouts/Opening
- ★ Primer or Finish Paint
- ★ Different Gauge Construction
- ★ Different Material Construction; i.e. Stainless Steel
- ★ Special Configurations - Perf varies according to application
- ★ Different Insulation Materials and Densities

Thermal Performance:

Individual panels will have a "U" factor 0.07 and an entire panel enclosure will have a "U" Factor of 0.14

Fire Hazard Rating:

Standard acoustical fill will have the following UL Fire Hazard Ratings as per ASTM E-84:
FLAME SPREAD -15 / FUEL CONTRIBUTED -0 / SMOKE DEVELOPED -0



Acoustical Performance* - Standard Construction

Sound Transmission Loss (ASTM E90-81)

*All acoustical tests were performed and reported by an independent Accredited Acoustical Laboratory. Copies of the test reports can be furnished upon request.

Octave Band Center Frequency (Hz)	125	250	500	1000	2000	4000	STC
4" Panel (TL in dB)	22	29	40	48	54	60	41
2" Panel (TL in dB)	21	24	35	43	52	57	37

Sound Absorption Coefficients (ANSI/ASTM C243-81 a and E795)

Octave Band Center Frequency (Hz)	125	250	500	1000	2000	4000	NRC
4" Panel	.86	1.09	1.22	1.06	1.05	1.04	1.10
2" Panel	.31	.82	1.19	1.12	1.07	1.06	1.11